



WORKSHEET 3-1
Battery Components

Worksheet Objectives

When you have completed this worksheet, you will be able to identify and name the components that make up a typical automotive battery.

Tools and Equipment

For this exercise you will need the following:

- Technician's Handbook

Exercise 1: Identifying and Naming the Components of a Battery

Refer to the drawing of a battery in Figure 3W1-1. Match the numbers on the drawing to the correct component names below:

1. _____
2. _____
3. _____
4. _____
5. _____
6. _____
7. _____

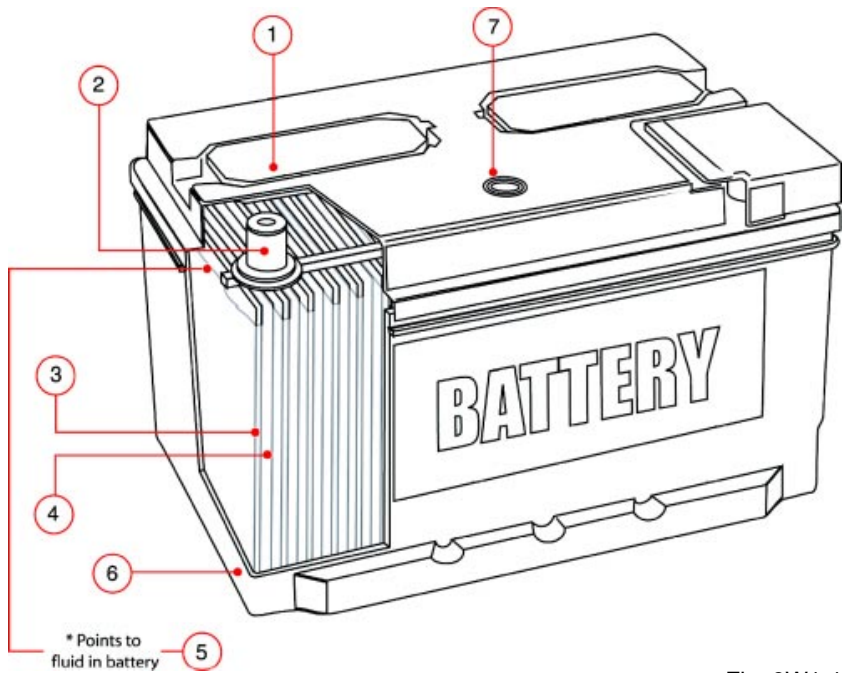


Fig. 3W1-1
TL623f001-3W1

Exercise 2: Associating Battery Component and Function

Refer to the list you made in Exercise 1. Match each of these functions with the associated component. Write the component's number in front of the function statement:

- _____ Allows checking of the battery's electrolyte level and state of charge.
- _____ Provides a connection point for the battery cable.
- _____ Separates and insulates battery plates from each other.
- _____ Is a mixture of sulfuric acid and water.
- _____ Houses and protects all the internal components and electrolyte.
- _____ Can be removed to add water to the electrolyte.
- _____ Is made of lead and takes part in the chemical reaction that produces electricity.

Battery Components

Name: _____ Date: _____

Review this sheet as you are doing the Battery Components worksheet. Check each category after viewing the instructor's presentation and completing the worksheet. Ask the instructor if you have questions regarding the topics provided below. Additional space is provided under topic for you to list any other concerns that you would like you instructor to address. The comments section is provided for your personal comments, information, questions, etc.

I have questions

I know I can

Topic			Comment
Identify Battery Components			
Associate Components with their Function			



Notes