



**WORKSHEET 4-2**  
***PS Starter Internal Components***

**Worksheet Objectives**

When you have completed this worksheet, you will be able to identify and name the components of Planetary Reduction Segment Conductor (PS) type starters.

**Tools and Equipment**

For this exercise you will need the following:

- Technician's Handbook
- Repair Manual/EWD

**Exercise 1: Identifying and Naming the Components of a Starter**

Refer Figure 4W2-1. Match the numbers on the drawing to the correct component names below:

1. \_\_\_\_\_
2. \_\_\_\_\_
3. \_\_\_\_\_
4. \_\_\_\_\_

**Exercise 2: Associating Component and Function**

Determine whether each of the following statements about PS starters is true or false. Write your answer in the blank space in front of each statement.

\_\_\_\_\_ Planetary reduction gears allow the starter motor to operate at a lower speed than a conventional starter motor.

\_\_\_\_\_ The purpose of the reduction gear set is to reduce pinion gear speed compared to motor shaft speed.

\_\_\_\_\_ Segment conductor type starters are more compact than conventional starter motors.

\_\_\_\_\_ Segment conductor type starters are heavier than conventional starter motors.

\_\_\_\_\_ Segment conductor type starters provide greater output torque than conventional starter motors.

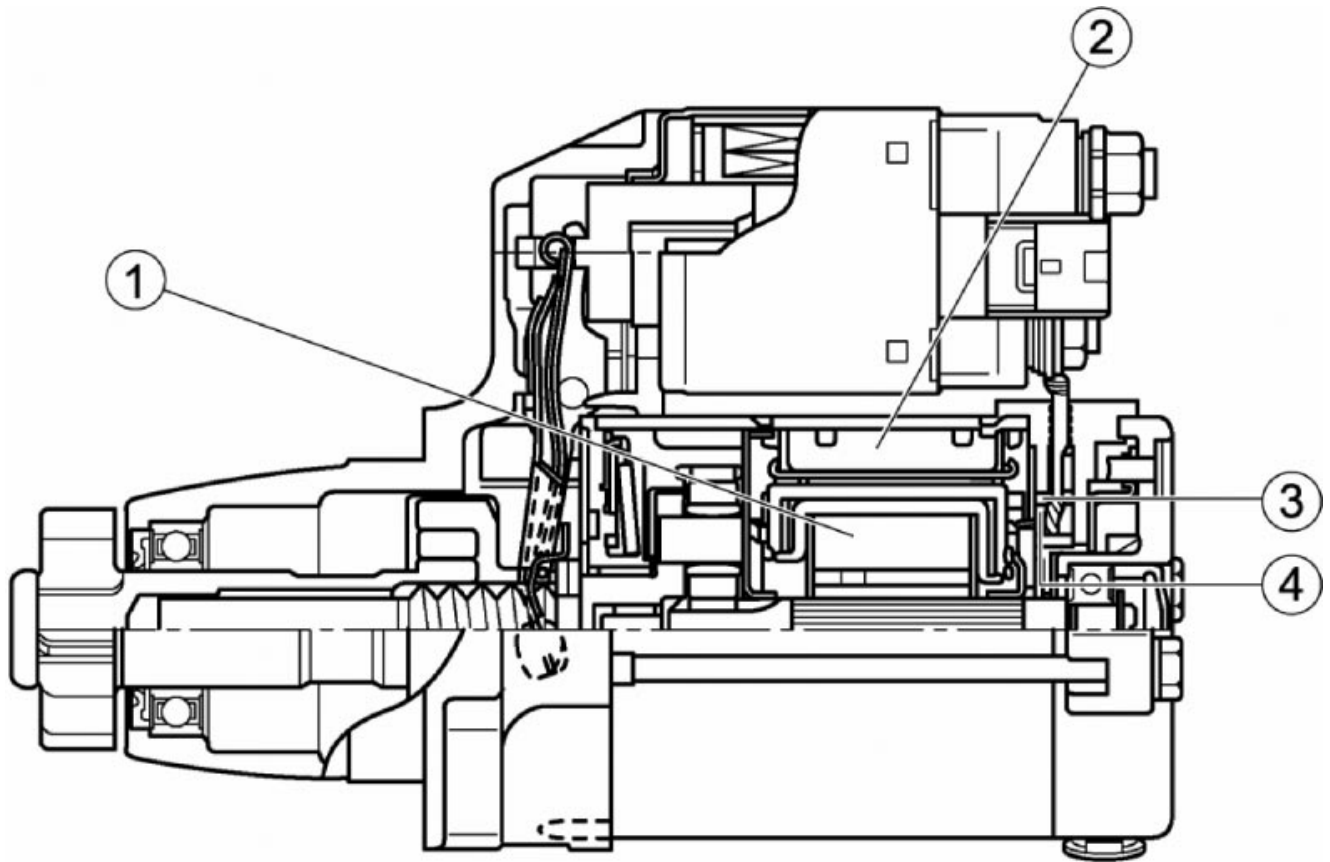


Fig. 4W2-1  
TL623f001-4W2

# PS Starter Internal Components

Name: \_\_\_\_\_ Date: \_\_\_\_\_

Review this sheet as you are doing the PS Starter Internal Components worksheet. Check each category after viewing the instructor’s presentation and completing the worksheet. Ask the instructor if you have questions regarding the topics provided below. Additional space is provided under topic for you to list any other concerns that you would like your instructor to address. The comments section is provided for your personal comments, information, questions, etc.

I have questions

I know I can

Topic			Comment
Identify Starter Components			
Associate Component with Function			



## Notes